

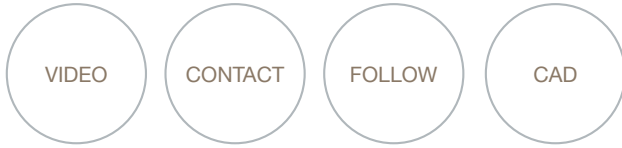


OUTDOOR FIREPLACES

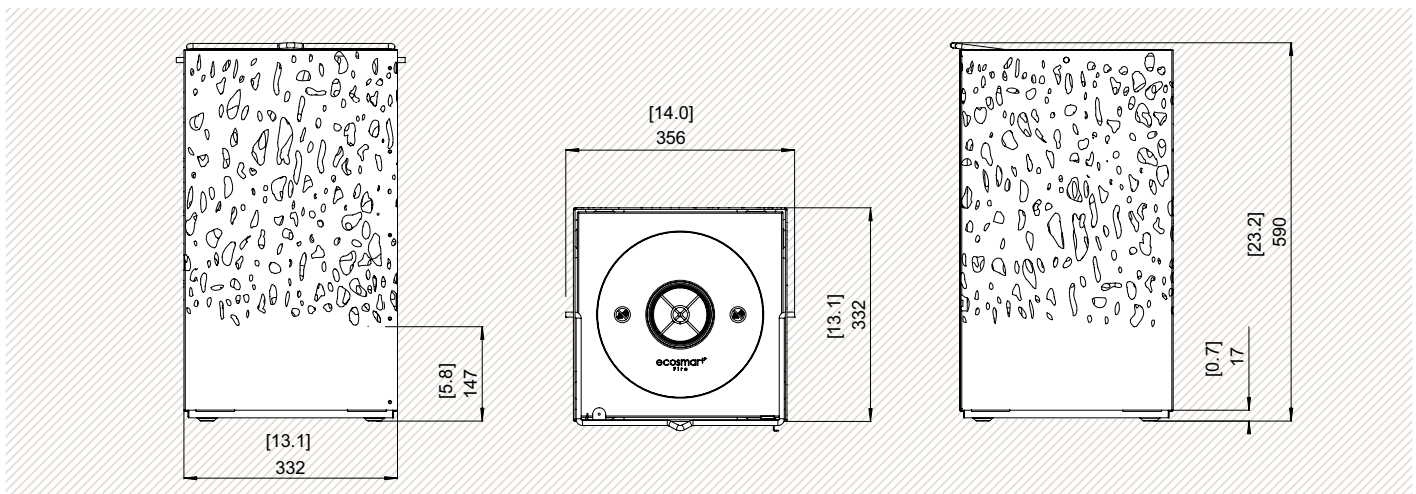
ecosmar⁺
Fire

www.ecosmartfire.com

OUTDOOR FIREPLACES



Designer	Marc Veenendaal
Dimensions	H 590mm W 356mm D 332mm H 23.2in W 14in D 13.1in
Weight	11.5kgs, 25.3lbs
Materials	Powder-Coated Steel
Colour	CoreTen (rust colour)
Application	Outdoor & Indoor
Compatible Burner	AB3



Disclaimer: All product specifications and data are subject to change without notice and believed to be correct at the time of publication. The Fire Company Pty Ltd (TFC), its affiliates, agents, and employees, and all persons acting on its or their behalf (collectively, "The Fire Company"), disclaim any and all liability for any errors, inaccuracies or incompleteness contained herein or in any other disclosure relating to any product. TFC disclaims any and all liability arising out of the use or application of any product described herein or of any information provided herein to the maximum extent permitted by law. The product specifications do not expand or otherwise modify TFC P/L's terms and conditions of purchase, including but not limited to the warranty expressed therein, which apply to these products. No license, express or implied, by estoppel or otherwise, to any intellectual property rights is granted by this document or by any conduct of TFC. Customers using or selling TFC products not expressly indicated for use in such applications do so entirely at their own risk and agree to fully indemnify TFC for any damages arising or resulting from such use or sale. Please contact authorised personnel from TFC to obtain written terms and conditions regarding products designed for such applications.

CLEARANCES

These models are suitable for use both indoors and outdoors.

WARNING: Ensure that your fire is positioned away from flammable materials and other sources of ignition at all times. Pay very close attention to positioning the fire away from items that may move as a result of wind and drafts. For example trees/branches/curtains/paper and the like.

The base of the burner within the model must never come into direct contact with flammable materials.

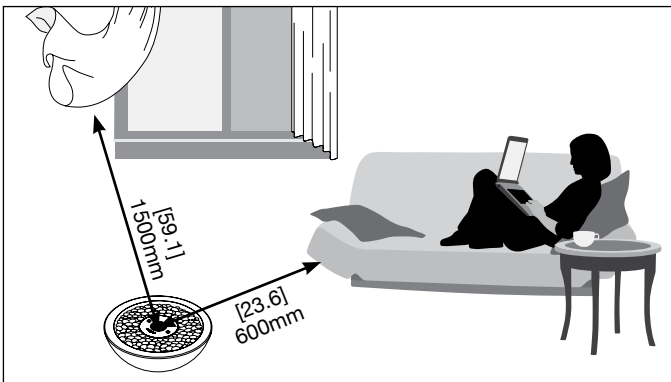
Side clearances to fixed and stable furniture items that are not susceptible to movement such as lounges or patio furniture must remain a minimum of 600mm [23.6in] away from the flame at all times.

Overhead clearances to items that are susceptible to movement (e.g. Curtains/Trees) must remain a minimum of:

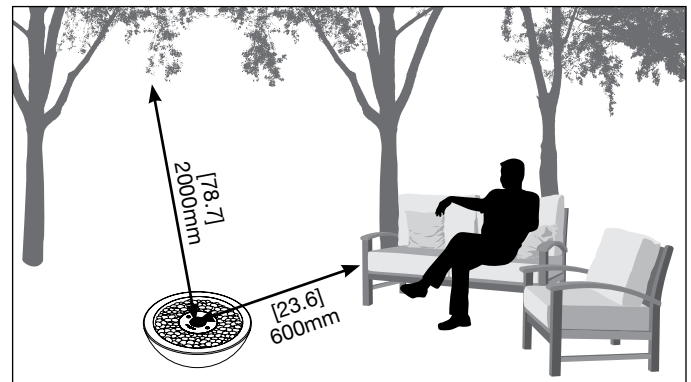
- Indoors: 1500mm [59.1in] away from the flame at all times.
- Outdoors: 2000mm [78.7in] away from the flame at all times.

Rubber feet are attached to the base of the model – ensure these remain in place and that the surface the fireplace is placed on does not reduce the clearances created by the feet, e.g shag carpet and table decorations. (Rubber feet do not apply to MIX Fire Bowls).

Note: Stainless steel will rust or corrode over time if contamination or debris is not cleaned or removed immediately. When not in use, it is recommended that you protect your fireplace from water damage or corrosion with a protective cover and always use the Burner Lid included with your model to safeguard the burner.



Indoor Clearances



Outdoor Clearances

INSTALLATION

Models can be fixed into position - refer to your local distributor for further information.