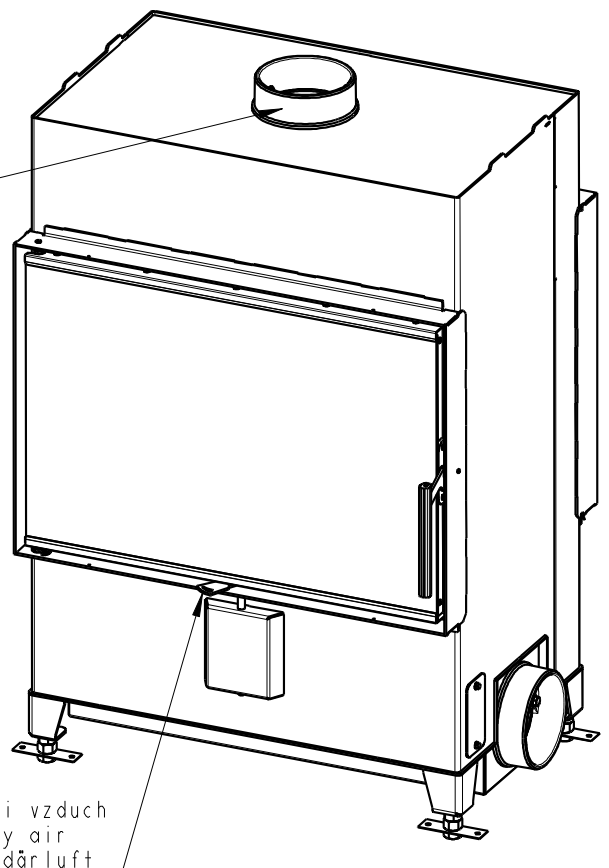
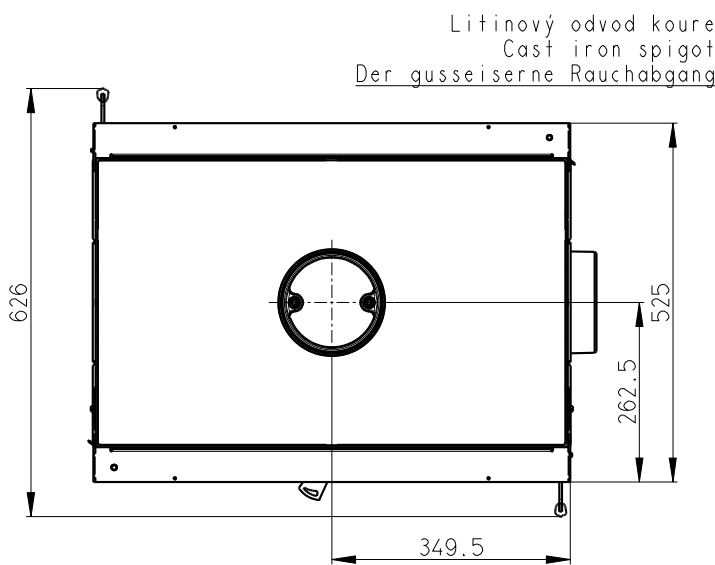
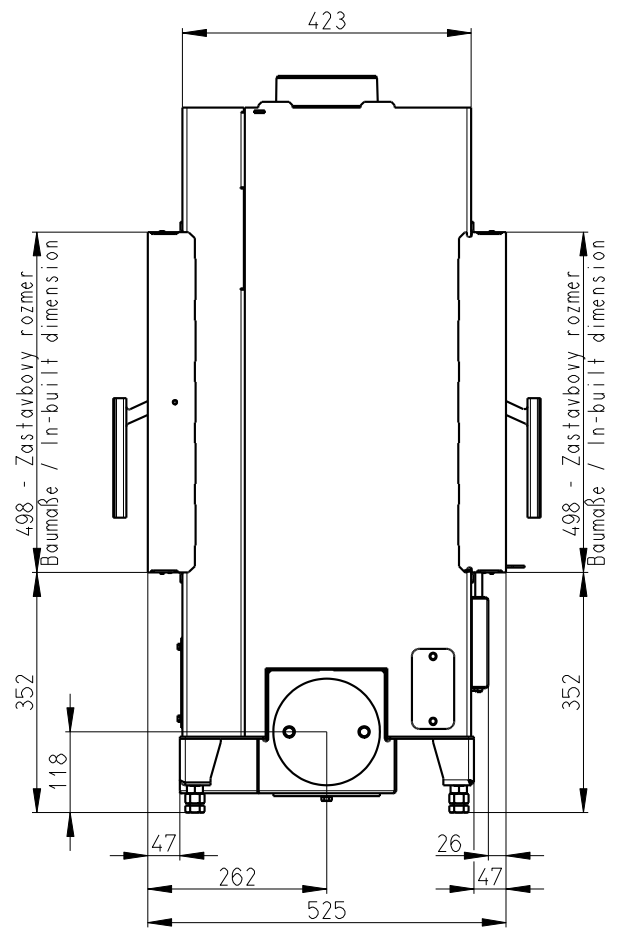
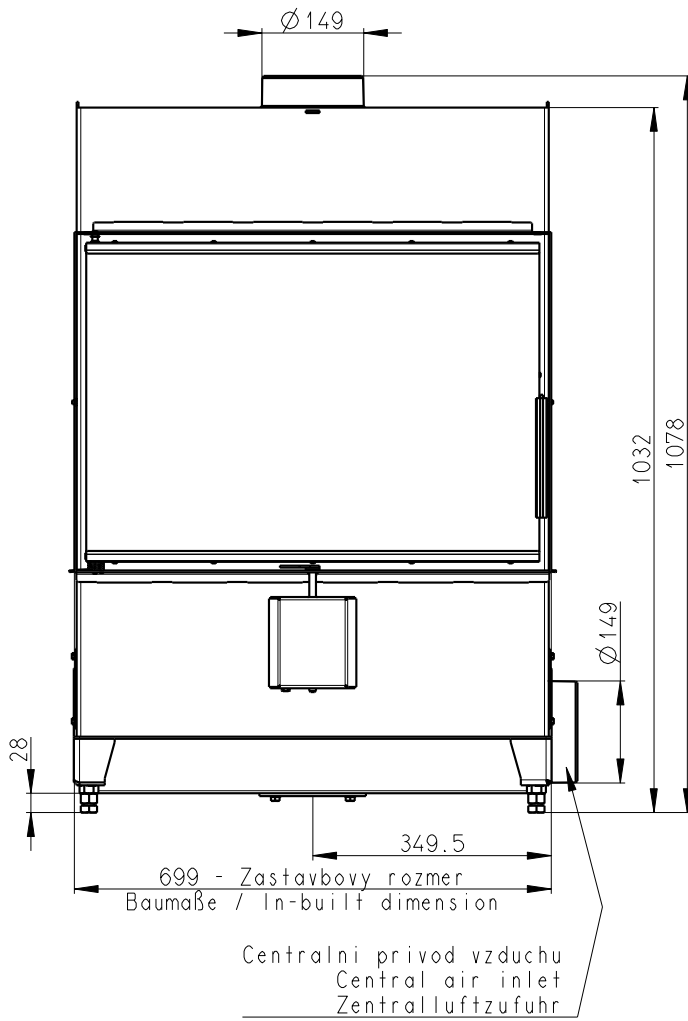


HEAT T 2g 70.50.01



Artikl	HT2Z 01
--------	---------

General data

Nominal heat output	kW	7,9
Efficiency	%	82,3
Mass of the test fuel fired hourly	kg/h	2,2
Dry flue gases mass flow	g/s	6,2
Mean flue gas temperature	°C	246
Flue draught	Pa	12
Weight	kg	175
CO ₂	%	10,68

Recommended values

Reg.output	kW	4 - 10
Max. mass of the test fuel fired hourly	kg/h	3
Min. cross section of convect air inlet for nominal output	cm ²	880
Min. cross section of convect air outlet for nominal output	cm ²	1120
Combustion air requirement	m ³ /h	11,3
Flue gas connector diameter	mm	150

Meets requirement limit values for

EN 13 229	•
BImSch V 1	•
BImSch V 2	•
DIN plus	•
15a B-VG	•

Supplied accessories

Holder with magnet	•
Hook to open the ashtray	•
Ashtray	•